

Name _____

1. In which number is the value of the underlined digit ten times the value of the bold digit?

(A) 505
(B) 5,00**5**
(C) 5,500
(D) 50,500

2. Find the product.

$$48 \times 28$$

(A) 1,500
(B) 1,344
(C) 800
(D) 76

3. Multiply.

$$3 \times 47$$

(A) 50
(B) 121
(C) 141
(D) 150

4. Which lists multiples of 8?

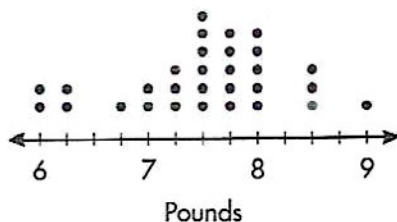
(A) 8, 16, 24, 46
(B) 8, 16, 24, 48
(C) 8, 15, 32, 50
(D) 8, 16, 40, 63

5. Gail ran $4\frac{6}{10}$ miles on Saturday and $6\frac{8}{10}$ miles on Sunday. How many miles did Gail run over the weekend?

(A) 11 miles
(B) $10\frac{14}{10}$ miles
(C) $11\frac{4}{10}$ miles
(D) $14\frac{2}{10}$ miles

6. The weights of babies born at a hospital in November are shown in a line plot. How many more babies weighed $8\frac{1}{2}$ pounds than $6\frac{1}{4}$ pounds?

Newborn Weights



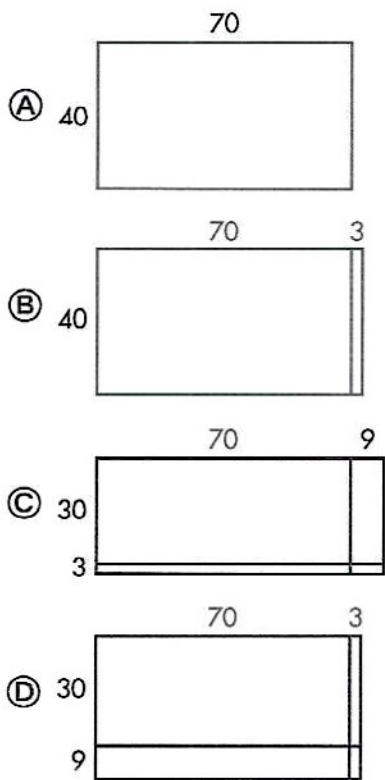
- (A) 1 baby
(B) 2 babies
(C) 3 babies
(D) 4 babies
7. Round 43,628 to the thousands place.
- (A) 40,000
(B) 43,000
(C) 43,600
(D) 44,000

Name _____

14. Brandy made 7 batches of cookies. Each batch contained 12 cookies. She put the same number of cookies in each of 5 bags. How many cookies were not put in bags?
- (A) 16 cookies
(B) 12 cookies
(C) 4 cookies
(D) 2 cookies
15. Ellen is making jewelry sets that contain a bracelet and a pair of earrings. Each bracelet uses 3 times as many beads as one earring. Ellen uses 13 beads for each earring. How many beads does Ellen need to make one jewelry set?
- (A) 13 beads
(B) 39 beads
(C) 52 beads
(D) 65 beads
16. Inez and Joel work at a store that sells cell phones. Inez worked for 7 hours and 23 minutes. Joel worked for 4 hours and 51 minutes. How much longer did Inez work than Joel?
- (A) 2 hours 32 minutes
(B) 12 hours 14 minutes
(C) 3 hours 28 minutes
(D) 3 hours 32 minutes
17. Which is the same length as 4 kilometers?
- (A) 4,000 meters
(B) 4,000 centimeters
(C) 4,000 millimeters
(D) 40,000 millimeters
18. The following are rules for repeating patterns. For which rule will the 12th shape be a circle?
- (A) Triangle, Circle, Square
(B) Circle, Square
(C) Rectangle, Circle
(D) Circle, Circle, Triangle
19. Subtract.
- $$50,032 - 17,956$$
- (A) 47,924
(B) 42,976
(C) 32,136
(D) 32,076
20. Nick cut a circular cookie into 5 equal slices. What is the angle measure of each slice?
- (A) 36°
(B) 72°
(C) 108°
(D) 144°

Name _____

8. Which area model can you use to find 39×73 ?



9. Use an estimate to decide if the answer is reasonable. If the answer is not reasonable, find the actual quotient.

$$\begin{array}{r} 621 \text{ R2} \\ 9 \overline{)7,341} \end{array}$$

- (A) The answer is reasonable.
 (B) No; 815 R6
 (C) No; 815 R5
 (D) No; 815 R4

10. Which comparison is correct?

- (A) $\frac{2}{10} > \frac{3}{5}$
 (B) $\frac{2}{4} > \frac{4}{8}$
 (C) $\frac{2}{3} < \frac{10}{12}$
 (D) $\frac{9}{12} < \frac{3}{6}$

11. Which decimal makes the comparison true?

$$7.68 >$$

- (A) 8.81
 (B) 8.68
 (C) 7.86
 (D) 7.56

12. Which of the following letters is **NOT** line symmetric?

- (A) A
 (B) E
 (C) G
 (D) Y

13. Find the sum.

$$8,852 + 4,113$$

- (A) 11,956
 (B) 12,865
 (C) 12,965
 (D) 13,065

Name _____

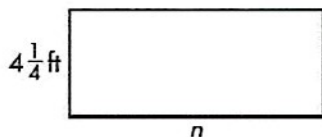
21. Franco made a dozen muffins for his party. Upon taking them out of the oven, he noticed that 2 of the muffins were badly burned. Franco served $\frac{7}{10}$ of the remaining muffins. Which equation shows the fraction of the non-burned muffins that remains?

- (A) $\frac{12}{12} - \frac{7}{12} = \frac{5}{12}$
(B) $\frac{10}{10} - \frac{7}{10} = \frac{3}{10}$
(C) $\frac{12}{12} - \frac{5}{12} = \frac{7}{12}$
(D) $\frac{10}{10} - \frac{3}{10} = \frac{7}{10}$

22. Which expression does **NOT** equal $\frac{10}{12}$?

- (A) $\frac{5}{12} + \frac{5}{12}$
(B) $\frac{3}{12} + \frac{2}{12} + \frac{2}{12} + \frac{2}{12} + \frac{1}{12}$
(C) $\frac{4}{12} + \frac{3}{12} + \frac{2}{12} + \frac{1}{12}$
(D) $\frac{5}{12} + \frac{4}{12} + \frac{3}{12} + \frac{2}{12} + \frac{1}{12}$

23. The perimeter of the dining room table shown below is 23 feet. What is the missing side length?



- (A) 14 feet
(B) $7\frac{2}{4}$ feet
(C) $7\frac{1}{4}$ feet
(D) 7 feet

24. Mandy used the rule "Add 6" to make a pattern. She started with 20 and wrote the next 5 numbers in her pattern. Which number does **NOT** belong in Mandy's pattern?

- (A) 26
(B) 32
(C) 38
(D) 43

25. Find the product.

$$2,715 \times 7$$

- (A) 14,025
(B) 15,500
(C) 19,005
(D) 21,000

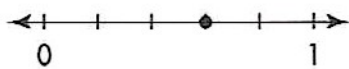
26. Find the quotient.

$$463 \div 6$$

- (A) 72
(B) 77
(C) 77 R1
(D) 707 R1

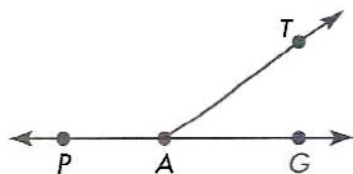
Name _____

27. Which fraction is **NOT** equivalent to the point shown on the number line?



- (A) $\frac{3}{5}$
(B) $\frac{6}{10}$
(C) $\frac{60}{100}$
(D) $\frac{10}{12}$
28. Hakim is making birdhouses. Each birdhouse uses $\frac{7}{8}$ yard of wood. What is the total length of wood Hakim will need to build 5 birdhouses?
- (A) $4\frac{3}{8}$ yards
(B) $5\frac{7}{8}$ yards
(C) $1\frac{4}{8}$ yards
(D) $9\frac{2}{8}$ yards
29. Liam bought pizza and wings for \$27.58. How much change should Liam receive if he gave the clerk three \$10-bills? Use coins and bills to help solve.
- (A) \$1.52
(B) \$2.42
(C) \$2.52
(D) \$12.42

30. Which geometric term describes $\angle TAG$?



- (A) Acute
(B) Obtuse
(C) Right
(D) Straight
31. Which are the partial products of $3,706 \times 4$?
- (A) 1,200 280 10
(B) 1,200 280 24
(C) 12,000 2,800 24
(D) 12,000 280 24
32. Find the product.
- 57×34
- (A) 399
(B) 1,238
(C) 1,921
(D) 1,938

Name _____

33. Which lists all the factors of 78?

- (A) 1, 2, 3, 6, 13, 26, 39, 78
- (B) 1, 2, 4, 19, 39, 78
- (C) 1, 2, 6, 13, 39, 78
- (D) 2, 3, 6, 13, 26, 39

34. Classify the triangle by its sides and by its angles.



- (A) Isosceles, Obtuse
- (B) Scalene, Obtuse
- (C) Isosceles, Acute
- (D) Scalene, Acute

35. A tree was 17 feet tall when it was planted. It grew 8 times that height in 15 years. How much taller is the tree than when it was planted?

- (A) 119 feet
- (B) 136 feet
- (C) 247 feet
- (D) 255 feet

36. Steve rounds his favorite number to the nearest hundred to get 400. Which of these could NOT be Steve's favorite number?

- (A) 396
- (B) 460
- (C) 448
- (D) 375